

EN

Important Safety Instruction :

Please read the following safety instructions carefully and keep this manual for future reference .

[1] Intended for indoor use only .

[2] Do not use the product near water or in damp place , and never spray any liquid onto the product .

[3] When using the product , please pay attention to the rated voltage and current as marked on the product label (Overload could cause electrical fire , physical injury and product damage).

[4] Please select and use correct cable with high rated voltage and current than the parameter marked on the product label .

[5] Please read this manual carefully before installing and using the product , and installation shall be done by professional or technical (Failure to follow these instructions may lead to fire , serious physical injury or product damage).

[6] Please turn off the power before any operation .

[7] Improper repair procedures or modification may lead to electrical shock or other bad results .

[8] If replacing parts , please use the replacement parts specified by manufacturer only .

CN

请仔细阅读本须知，并保存此说明书以备将来参考

1. 本产品仅供室内使用。

2. 切勿将产品靠近水源或安装于潮湿处，同时请勿泼淋任何液体到产品上。

3. 使用本产品时，请留意产品上所标示的电压及电流额定参数。

(超过负载，将会导致火灾，人身伤害及产品损毁)

4. 请使用适当的电源线，必须超过产品上所标示的电压与电流额定值。

5. 安装本产品时，请先熟读本说明书并且由专业的技术人员安装。

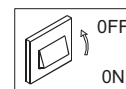
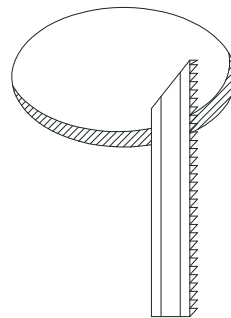
(不遵循说明书的操作指示，可能会导致火灾，人身伤害及产品损毁)

6. 在任何操作过程中，请先确定关掉电源后，再进行操作。

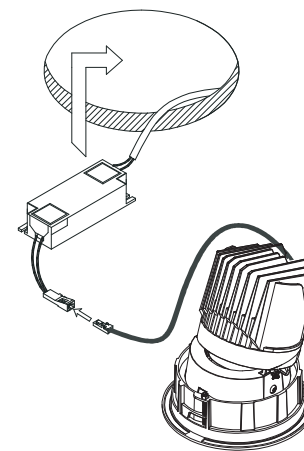
7. 请勿自行修护本产品，因为不当的拆移，可能会导致触电或其他不良后果。

8. 若需要更换部件，请确定使用的是制造厂商指定的替换部件。

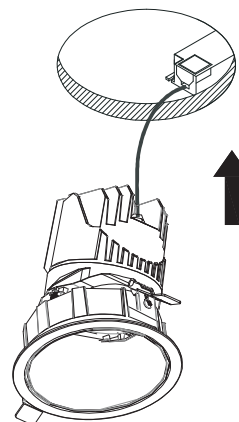
1 Cut - out hole to the required size
根据灯具尺寸开孔



2 Connect driver
连接驱动器



3 Insert the spot light on the ceiling
将灯具嵌入天花板



4 Turn on light
安装完成

