

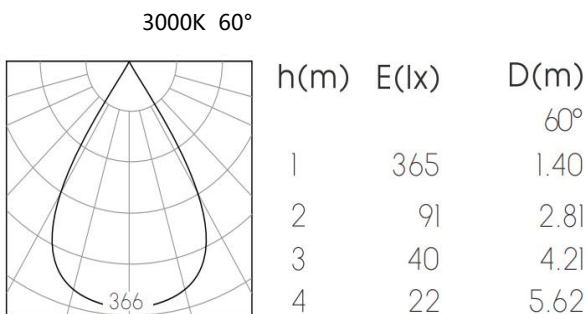
## Product Description

Metis series luminaire designed with simple and elegant design concept, together with heatsink made by pure aluminum forging, perfectly embody its stability feature under gentle appearance. 38 degree cut-off angle and concave LED module are used to be anti-glare and achieve uniform light. Carefully designed heatsink can achieve the stabilizing effect for convection conduction, which is to ensure the long lifespan of LED and stability of light output. Simple structure design can enable designers or customers to replace the optional high efficiency reflectors of different angles, in order to meet different lighting requirements.

## Product Specification

Luminaire Wattage	7W
Luminaire Color	■ White □ Black
Light Source	2835
Color Temperature	2700K/3000K/4000K/6400K
Color Rendering Index	Ra≥80
Beam Angle	60°
Luminous Flux	480lm at 4000K
cut-out	Φ75MM
Driver	SL-CC150-12SL
Power Factor ( PF )	≥0.50
Input	AC220-240V 50-60Hz
Output	DC150mA 36V
Class	Class II
IP Degree	IP20
Inner Box	9X9X9cm
Carton Size	37.5X19X28cm
QTY/CTN	24PCS/CTN
Net Weight	0.21KG/PCS

## Light Distribution



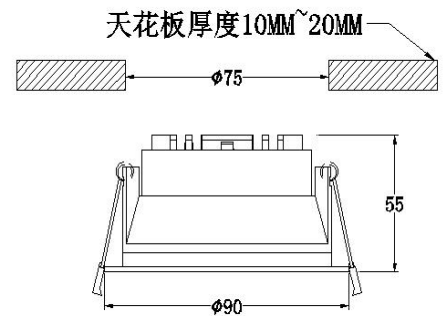
Model No.

DFB0206-C

CONTACT US FOR MORE DETAILS

WebLink

CCC CE RoHS



Related project picture of product family:

